

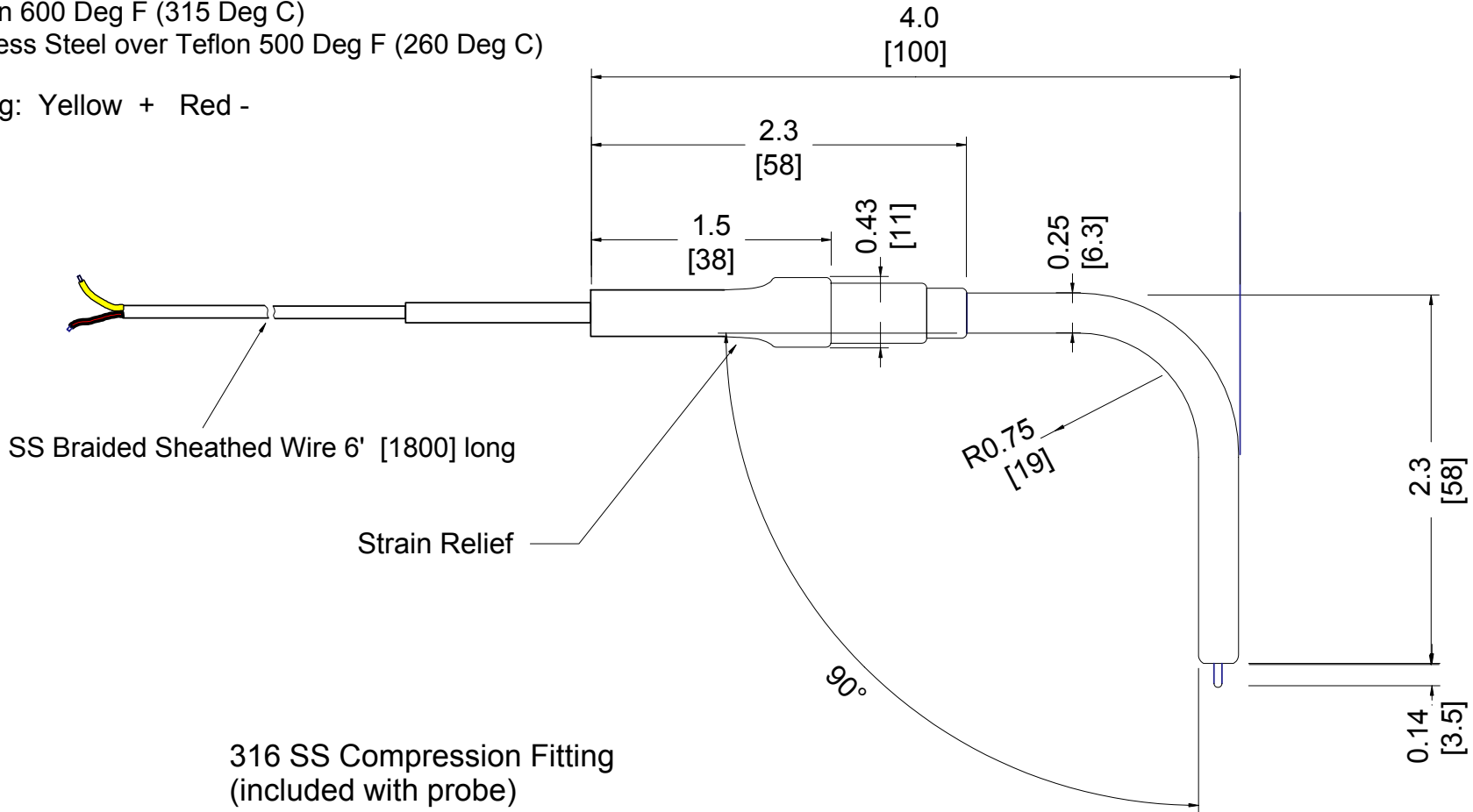
**SPECIFICATIONS**

THERMOCOUPLE TYPE K  
 TEMPERATURE RANGE -40°to + 2200°F  
 CONDUCTOR INSUL.TEMP. RATINGS  
 Kapton 600 Deg F (315 Deg C)  
 Stainless Steel over Teflon 500 Deg F (260 Deg C)

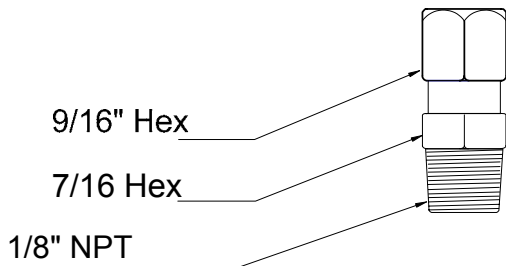
Wiring: Yellow + Red -

**REVISIONS**

REV.	DESCRIPTION	DATE:
A	Added: fitting mm dimensions wiring diagram Removed: dimensions 0.38 0.30	FEB 09



316 SS Compression Fitting  
(included with probe)



[ ] Denotes MM

UNLESS OTHERWISE SPECIFIED ALL DIMENSIONS ARE IN INCHES TOLERANCES ARE: ANGLES: +/- 0.5 DEG. DECIMAL: XX= +/- .01 .XXX= +/- .005 Fractions: +/- 1/64 Drawing and Specifications are the property of The Sensor Connection, Div. of Harold G. Schaevitz Industries LLC. Copies are not permitted without the written consent of The Sensor Connection.	DRAFTSMAN:	DATE:	<b>TSC Sensors</b> A Div of Harold G. Schaevitz Industries	
	HGS	07/06		
	FINISH:	Probe Individual Harness		DRAWING No.
	MATERIAL:	Inconel		A EGTIP0090000
SCALE: 1:1		SHEET No. 1 of 1		