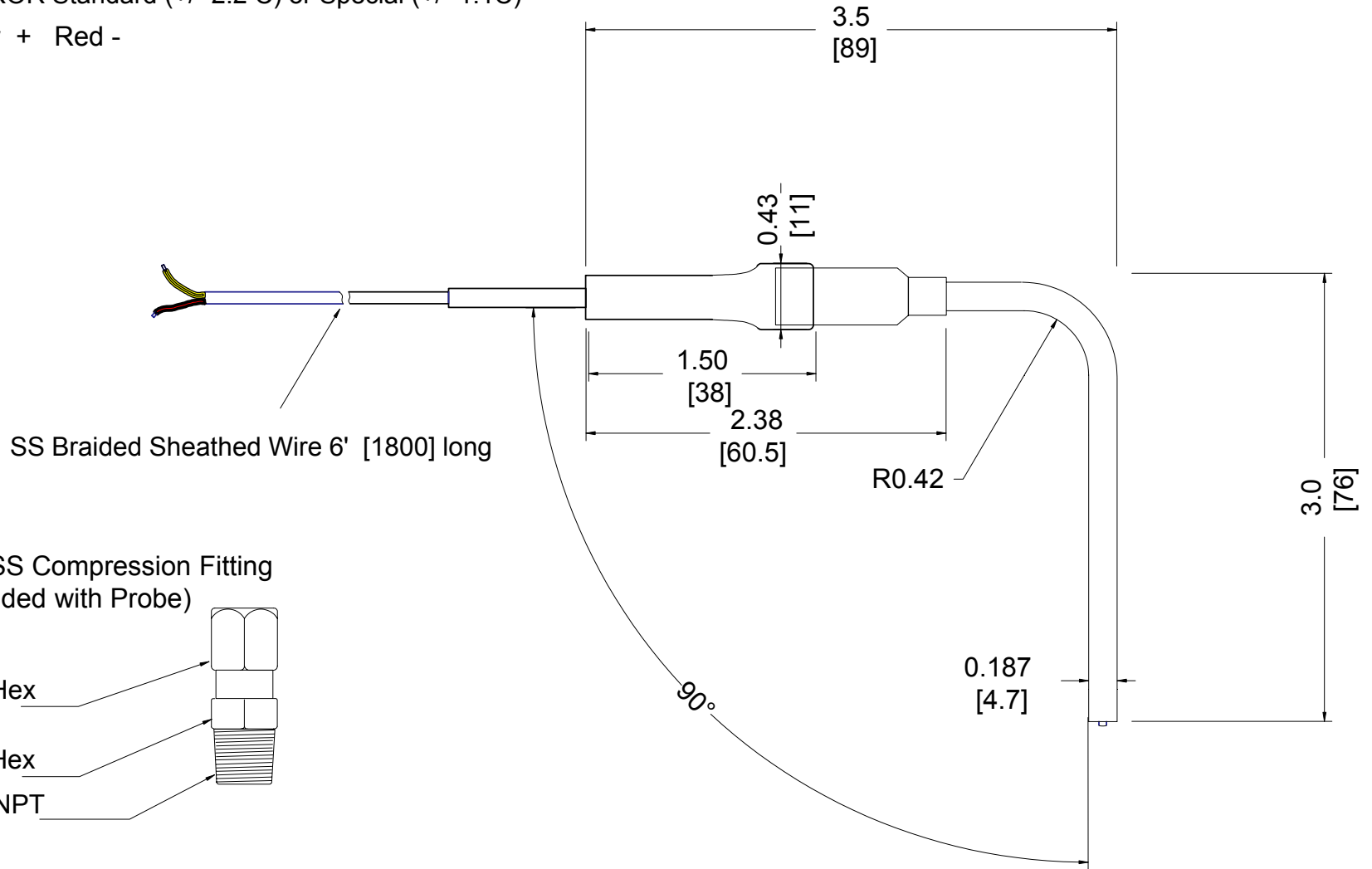


**SPECIFICATIONS**

THERMOCOUPLE TYPE K  
 TEMPERATURE RANGE -40° to + 2200° F  
 LIMITS OF ERROR Standard (+/- 2.2 C) or Special (+/- 1.1C)  
 Wiring: Yellow + Red -

REVISIONS		
REV.	DESCRIPTION	DATE:
A	Added: Wiring dia./wire colors/metric Redrawn: Comp Fit/ProbeEnd/ Removed: .25/.38 Dim.	FEB 09



316 SS Compression Fitting  
(Included with Probe)

1/2 Hex

7/16 Hex

1/8" NPT

UNLESS OTHERWISE SPECIFIED ALL DIMENSIONS ARE IN INCHES TOLERANCES ARE:  
 ANGLES: . FRACTIONS:  
 +/- 0.5 DEG. +/- 1/64 .  
 DECIMAL:  
 XX= +/- .01  
 .XXX= +/- .005

DRAFTSMAN:	DATE:	<b>TSC Sensors</b> A Div of Harold G. Schaevitz Industries
HGS	08/07/06	
FINISH:	Plain	TITLE Probe EGT Compression Fitting
MATERIAL:	Inconel 600	DRAWING No. EGT-EP-072-0001-SS-N
SCALE: <b>1:1</b>		SHEET No. 1 of 1

Drawing and Specifications are the property of The Sensor Connection, Div. of Harold G. Schaevitz Industries LLC Copies are not permitted with out the written concent of The Sensor Connection.