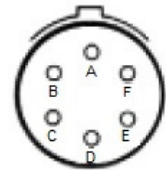


The Sensor Connection LLC

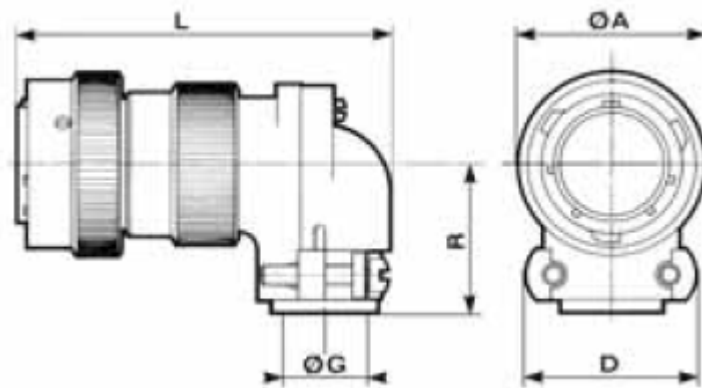
Part Number: LVDT-CONNECTOR

Description: LVDT Mating Connector, 6 pin female jack with strain relief, straight back shell

	L max	A max	D max	G
mm	48.00	21.80	21.50	5.00
Inch	1.890	0.858	0.846	.197



Viewed from front face of female insulator

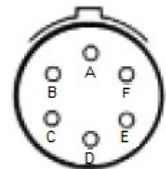


The Sensor Connection LLC

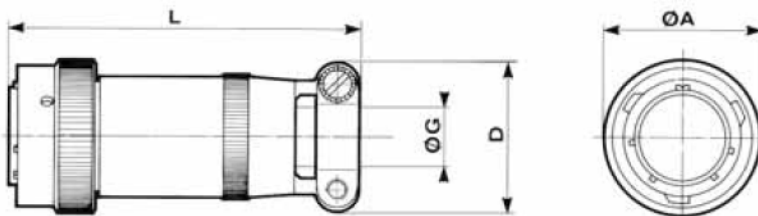
Part Number: LVDT-CONNECTOR-90

Description: LVDT Mating Connector, 6 pin female jack with strain relief, 90 degree back shell

	L max	A max	D max	G	R max
mm	52.60	21.80	21.20	5.00	18.00
Inch	2.071	0.858	0.835	.197	0.709



Viewed from front face of female insulator

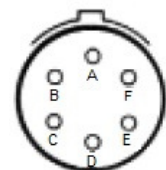


The Sensor Connection LLC

Part Number: LVDT-CONNECTOR-WT

Description: LVDT Mating Connector, 6 pin female jack, straight back shell, Water tight sealing gland

	L max	A max	D max	G max	G min
mm	57.68	21.80	21.50	6.76	5.94
Inch	2.270	0.858	0.846	.266	0.234



Viewed from front face of female insulator