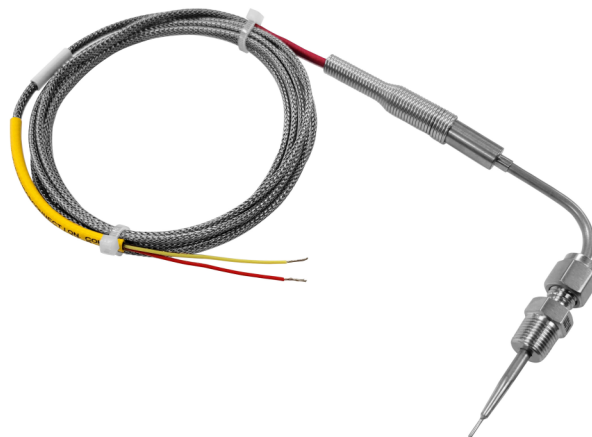


# Air Temperature Probe - 1/8" - Swaged to 1/20" - 90° Bend

## Fast Response Air Intake Temperature Probe

- Made in the USA from high quality materials
- Swaged exposed junction for fastest response
- Type K thermocouple
- MgO mineral insulated sheath
- Designed for engine test & racing environments



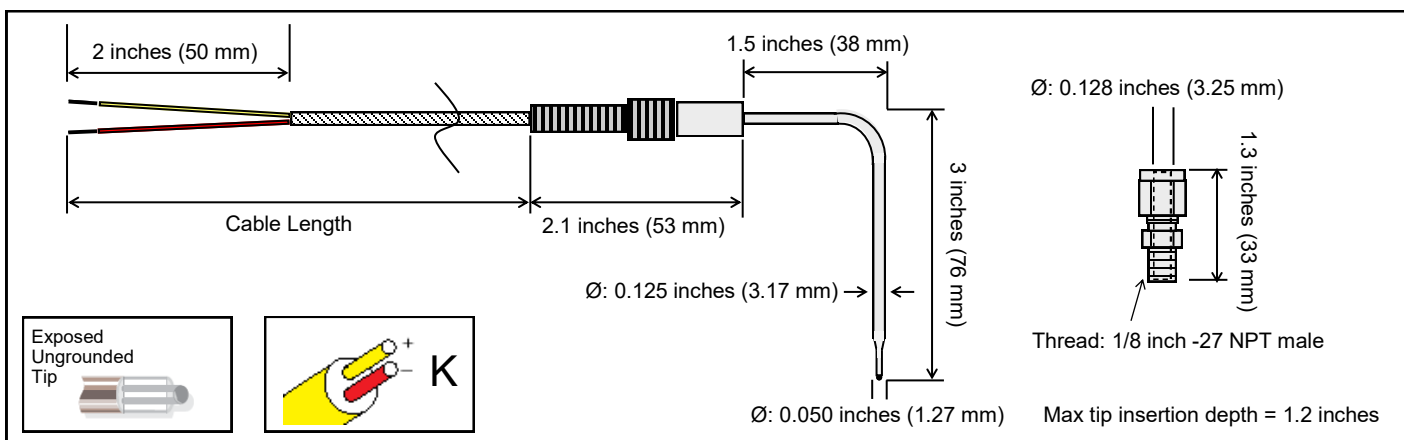
## Specifications

Thermocouple type: K  
 Range: -148 to 2372°F (-100 to 1300°C)  
 Accuracy: +/-0.4% of reading or about +/- 1.1°C (Special Limits of Error)

Probe diameter: 1/8 inch (0.127 inch) (3.17 mm)  
 Swaged tip diameter: 0.050" (1.27 mm)  
 Sensing Junction: Exposed, Ungrounded  
 Response Time\*: 250 mS  
 \*Time Constant: Defined as the time required to reach 63.2% of an instantaneous temperature change  
 Five time constants are required to approach 100% of the step change value

Outer Sheath Material: Inconel 600

Cable: Stainless steel overbraiding over Teflon™ insulated, stranded wires, 20 gage (Rated to 400°F (205°C))  
 Wiring: (+) = Yellow (-) = Red



## Ordering Information

Model	TC Type	Swaged Tip Diameter	Sheath Material	Sheath Length	Cable Length	Cable Insulation	Termination
<b>ATP-SW</b>	<b>- K</b>	<b>- 050</b>	<b>- A</b>	- □□□	- □□□	<b>- B</b>	- □
	K Type K	(in inches) 050 0.050"	A Inconel 600	(in inches) Example: 030 3.0 inches	(in inches) Example: 072 72 inches	B FEP w/ SSOB	0 Bare Ends 1 Mini Jack 2 Mini Plug 3 Standard Jack 4 Standard Plug

## Ordering Example

ATP-SW-K-050-A-030-072-B-0: Type K, 1/8" OD Inconel sheath, 0.050" tip diameter, 3" Sheath Length, 72" FEB w/ SSOB cable, bare ends